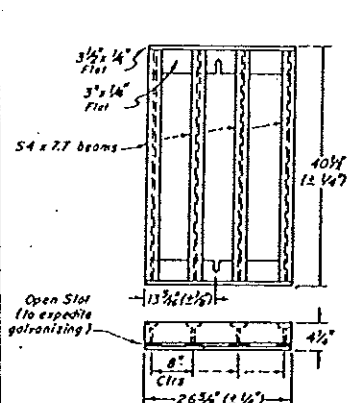
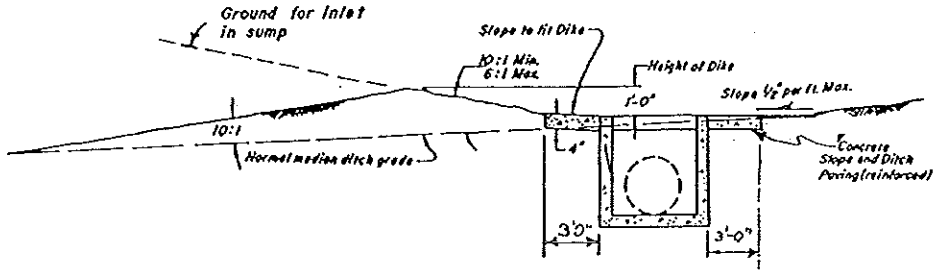


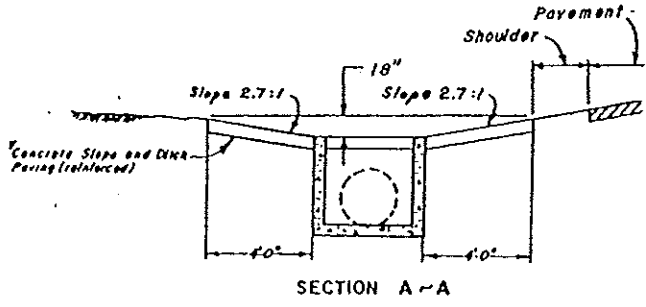
GRATED INLET TYPE C



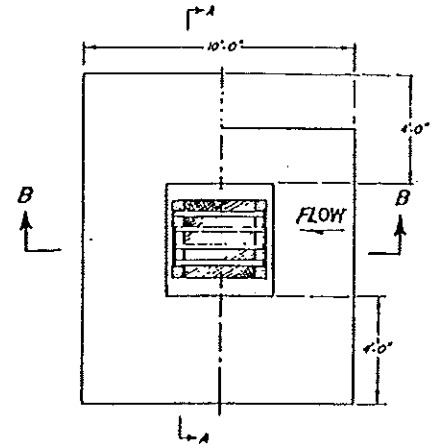
DETAIL OF GRATING



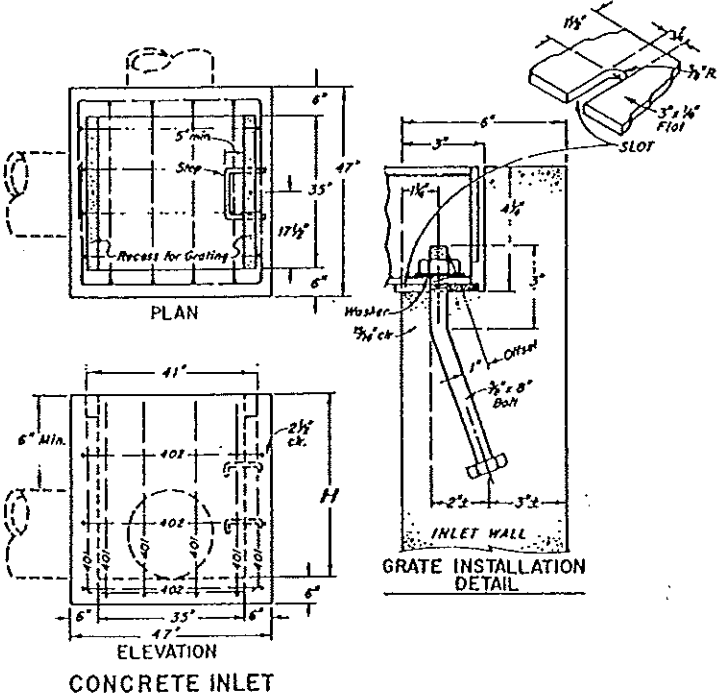
**SECTION B-B
INLET FOR USE IN DITCH ON GRADE
(FLOW FROM ONE DIRECTION)**



SECTION A-A



LAYOUT OF INLET IN ROADSIDE DITCH



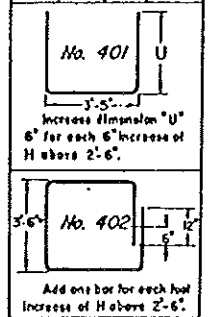
QUANTITIES FOR ONE INLET

H	CONCRETE (CU. YDS.)	REINF. STEEL (LBS.)	NO. STEPS REQ'D.
2'-6"	0.9	75	0
3'-0"	1.0	80	0
3'-6"	1.2	96	0
4'-0"	1.3	101	1
4'-6"	1.4	116	2
5'-0"	1.5	122	2
5'-6"	1.7	137	2
6'-0"	1.8	142	3
6'-6"	1.9	158	3
7'-0"	2.0	163	3
7'-6"	2.2	179	4
8'-0"	2.3	184	4
8'-6"	2.4	199	4
9'-0"	2.5	205	5
9'-6"	2.7	220	5
10'-6"	3.0	235	6
11'-6"	3.4	251	6

* Note: Includes volume occupied by pipes.

BAR LIST FOR 18-2-6" AND BENDING DIAGRAM

MARK	NO. REQ'D	HGT. "U"	LENGTH
401	2	2'-3"	7'-11"
401	6	2'-7"	8'-3"
402	3	2'-7"	15'-0"



All bars to be 1/2" Dia. - Cut or bend around pipes as required.

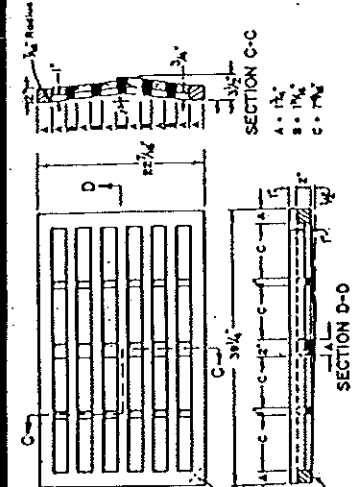
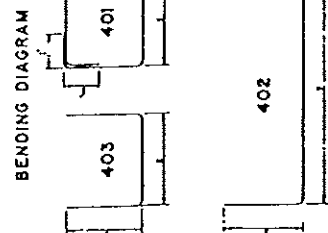
REFERENCE: Colorado Department of Highways
Standard M-604-BA (with modifications)

GRATED INLET TYPE 13

QUANTITIES

H	CONCRETE CU. YD.	REINFORCING STEEL # U.S.	NO. OF 401 BARS REQ'D.
3'-0"	1.8	72	4
3'-6"	2.0	76	4
4'-0"	2.1	90	5
4'-6"	2.3	104	6
5'-0"	2.4	109	6
5'-6"	2.6	122	7
6'-0"	2.7	136	8
6'-6"	2.8	141	8
7'-0"	3.0	144	10
7'-6"	3.3	173	10
8'-0"	3.4	187	11
8'-6"	3.6	200	12
9'-0"	3.7	200	12
10'-0"	3.9	219	13

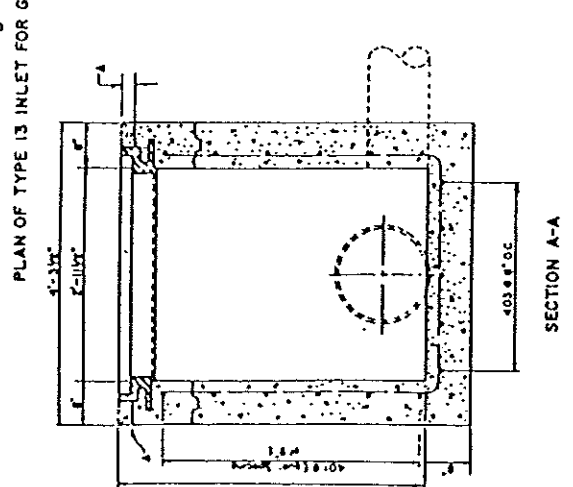
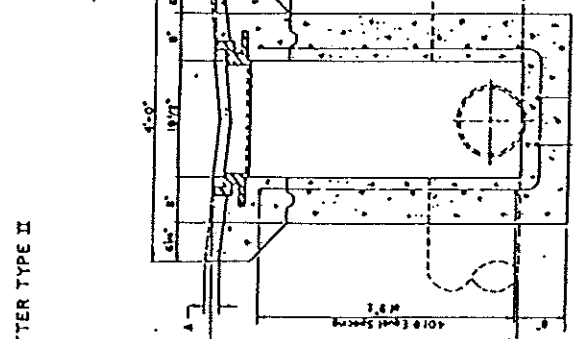
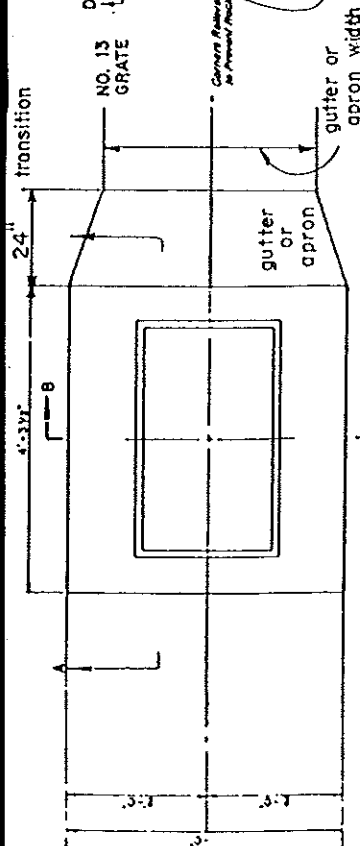
Includes 1% for wastage.
Note: Concrete quantities include volume required for pipes.



BAR LIST FOR H=3'-0"

MARK	NO.	DIMENSION	LENGTH
401	3	3'-4"	13'-4"
402	2	3'-4 1/2"	8'-3 1/2"
403	5	2'-0 1/2"	7'-2 1/2"

Note: Add 6" to bar dimensions for each 6" increase of H over 3'-0".



NOTE:
See plan details for location and size of pipe.
A - When bituminous material is in contact with the edge of the grate frame, concrete may be depressed.

GENERAL NOTES

All work shall be done in accordance with the Standard Specifications applicable to the Project.

All concrete shall be class A or B.

All concrete walls shall be formed on both sides.

All exposed concrete corners shall be beveled to a 1" face.

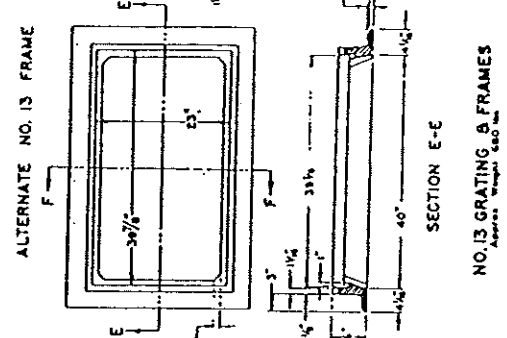
All reinforcing bars shall be deformed, of intermediate grade, and shall be tagged with bar designation and station number.

Details of Steps are an "Steps for Manholes & Inlets" Standard.

All dimensions not shown as clear are to C of bar.

All gratings, rings and covers shall be cast iron.

Use steps for all inlets with H=3'-6" or more. Start 2'-0" below gutter line and space equally at minimum of 18".



DATE:
REV:

REFERENCE: