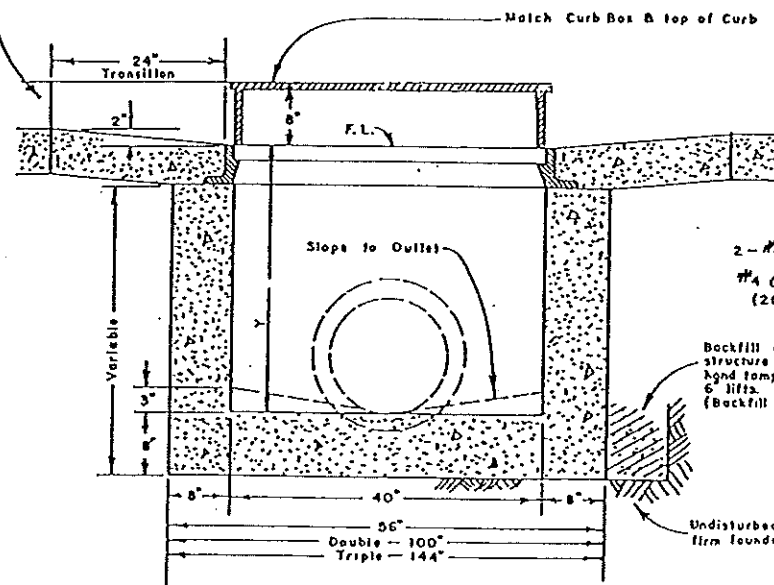
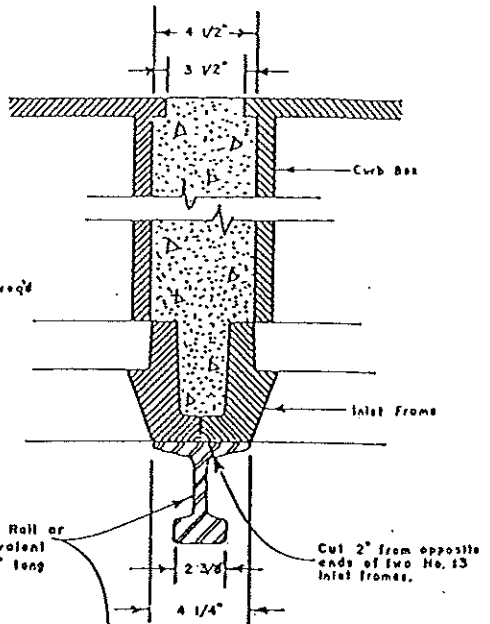


PLAN

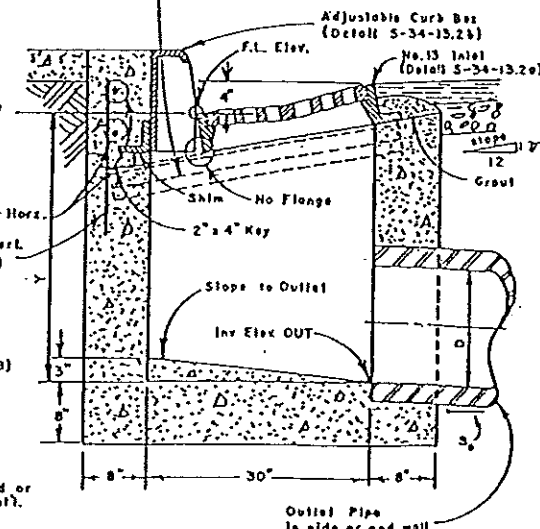
6" Vertical Curb & Gutter Shown



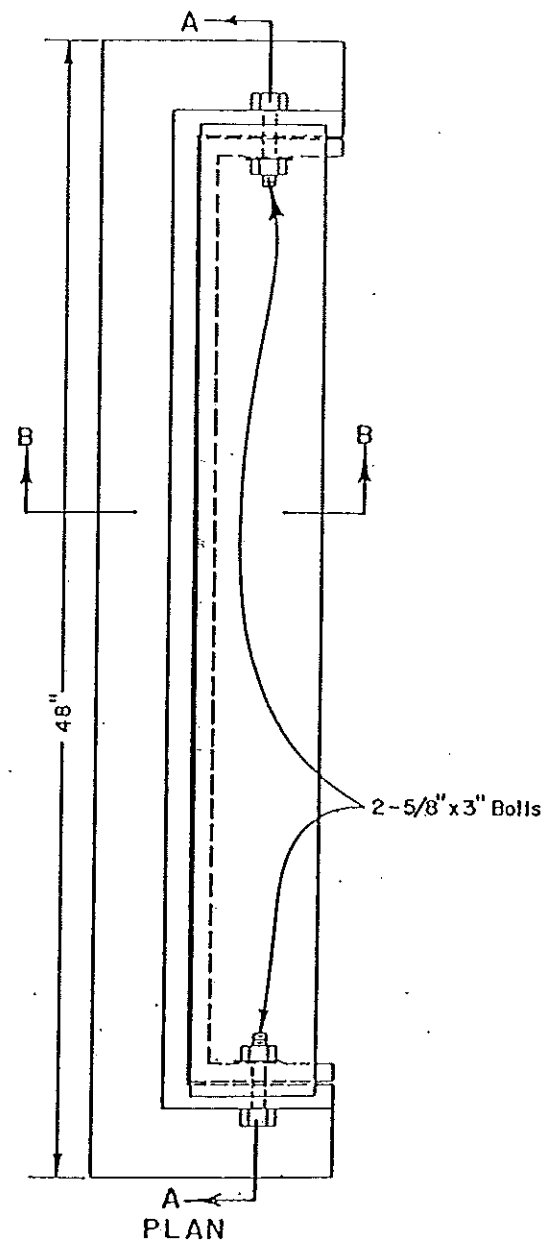
SECTION THRU LENGTH



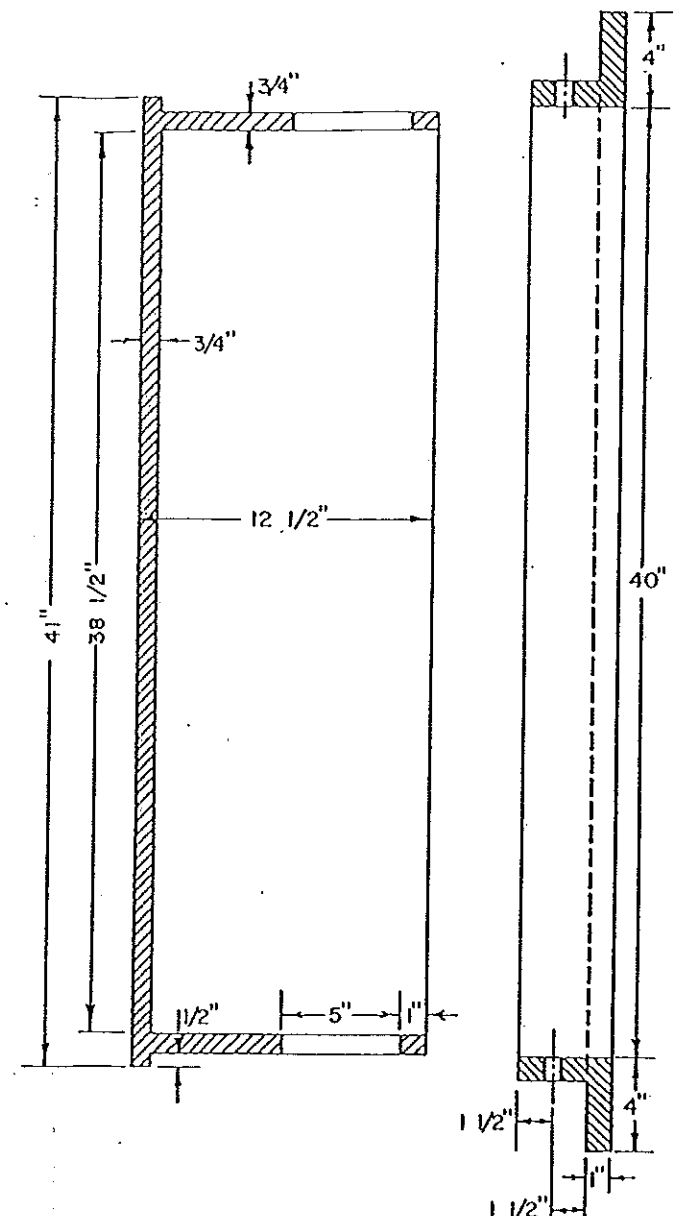
SECTION CENTER OF MULTIPLE INLETS



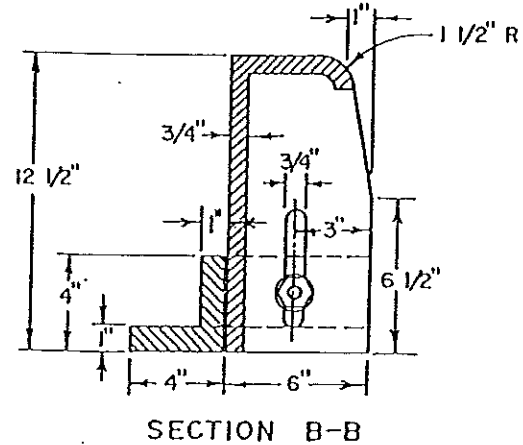
SECTION THRU WIDTH



PLAN



SECTION A-A



SECTION B-B

# OF INLETS	STD. DEPTH (1)	MIN. DIA. (1)	MIN. SLOPE (1,2)
SINGLE	3'-6"	16"	1.0%
DOUBLE	4'-0"	18"	1.0%
TRIPLE	4'-6"	21"	1.1%

- NOTES:**
1. For payment purposes, Inlet structures shall also include 2'-0" curb & gutter transition section at each end of inlet plus sidewalk sections where required behind Inlet structure and Transition sections.
 2. Floor slope may be poured monolithic with base.
 3. Outlet pipe(s) to be set flush with inside face of inlet wall.
 4. Unless otherwise specified on the drawings or otherwise approved, all No. 13 Inlets shall be constructed with an adjustable C.I. curb box.
 5. Std. Inlet depths and pipe size are noted in the following table. Deviations from these minimum requirements shall be substantiated with appropriate hydraulic analysis.

- NOTES:**
1. Casting Specifications: A.S.T.M. A-48, with a minimum tensile strength of 25 ksi (Class 25).
 2. All castings to be dipped in asphalt base paint.
 3. Minimum Curb Opening Area = 150 sq. in.

REFERENCE:
City and County of Denver Standard Details
S-34-13.1a and S-34-13.2b (with modifications)

STORM DRAINAGE DESIGN AND TECHNICAL CRITERIA

COMBINATION INLET TYPE 13 STANDARD DETAIL SD-4